

# EVOLine® Dock Square





# EVOLINE® Dock Square

## Variable and mobile. Entirely in accordance with your wishes.

The EVOLINE Dock Square, the modern generation of the desktop systems, combines compactness, variability and mobility at the work place.

From the Dock Square standard variant to the individually configured versions, interchangeable data and multimedia modules ensure limitless flexibility at all times if your usage requirements should change.



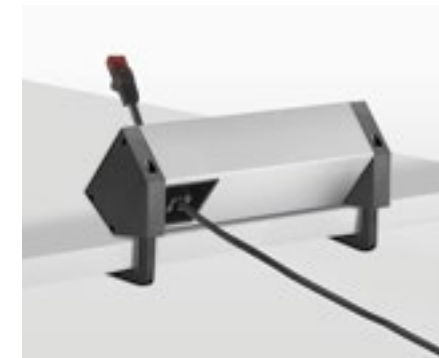
**Freely configurable according to your wishes**

Simple adhesive mounting facilitates the assembly. The adhesive bond can be released at any time.



Optional mounting with Metal mounting brackets for surface or base mounting.

Optional fastening option with various metal clamps for the edge of the desktop.



Optional mounting with integrated mounting brackets for surface mounting.



## Available surfaces



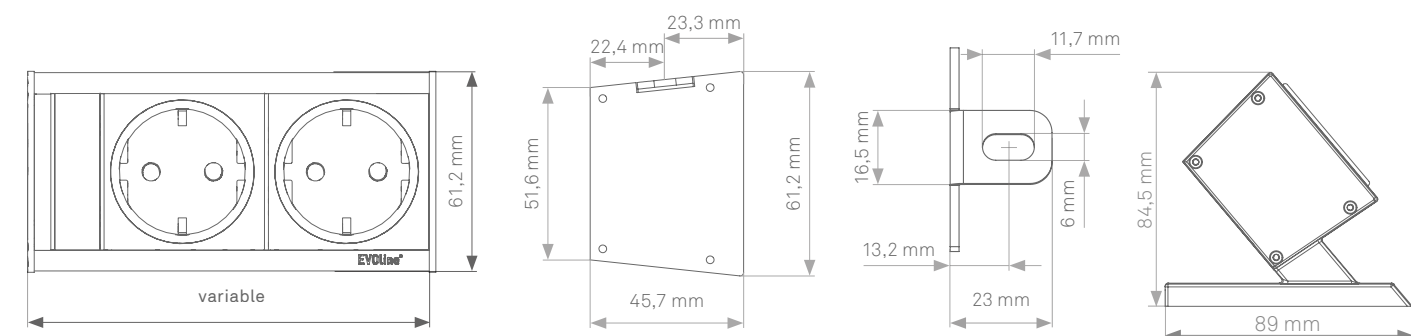
Silver



Black



White



Schulte Elektrotechnik GmbH & Co. KG

Jüngerstraße 21  
D-58515 Lüdenscheid

phone +49 23 51 / 94 81-0  
fax +49 23 51 / 4 26 58

mail [info@schulte.com](mailto:info@schulte.com)

[www.evoline.com](http://www.evoline.com)

